

Drone School **(Drone Pilot** **Training)**



DRONE ACHARYA UDAAN LLP

Powered By:

GATI
GOVERNMENT AVIATION TRAINING INSTITUTE

DRONE ACHARYA UDAAN LLP DRONE SCHOOL (DAU)

Our Remote Pilot Training Organization (RPTO) site near south campus (BHU) Parsia Mirzapur is situated in a serene and peaceful environment with ample space to safely conduct our drone training.

Our trainees and staff enjoy the fresh air and lush surroundings while training on site. Our co-located drone simulator room, classrooms and assembly rooms give you a holistic and integrated approach to training.



DRONE PILOT TRAINING

A Drone /UAV/ Remote Pilot Certificate (RPC) is issued by a Directorate General of Civil Aviation (DGCA) approved Remote Pilot Training Organization (RPTO) after fulfilling the conditions for issuance under The Drone Rules, 2021.

The drone pilot training at DAU is called our Remote Pilot Course. It is an integrated approach to training where the application of knowledge happens along-side your practical training, improving skill development of individuals.

Getting a certificate qualification in the drone industry has become a mandatory requirement to fly a drone now, and at DAU we ensure you develop the Skills and Attitude to be a proficient drone pilot and to display confidence, bringing success in your employment pursuit.



ELIGIBILITY

- Age: Minimum 18 years
- Education: 10th grade
- Aadhar card
- Passport /PAN /Driving License /Ration Card



COURSE OVERVIEW	
Ground School	- 14 hours–Day1 & 2 - Theory Test on Day 3
Simulator Training	- 4 Hours–Day 3 - Followed by Sim Test
Practical/ Flight Training	- 6 hours 30 minutes–Day 3,4 & 5 - Final skill test–Day 5
Certificate Issued	By DRONE ACHARYA UDAAN LLP on Day 5

COURSE REQUIREMENTS

The course requirements for the issue of an RPC are as follows:

- DGCA remote pilot training syllabus for issue of an RPC is given in detail as follows:
<https://digitalsky.dgca.gov.in/assets/files/DGCA-Remote-Pilot-Licence-Syllabus-for-upto-25-kg-drones.pdf>
- DGCA requirements for issue of RPC is as follows:
 - Passing the following tests:
 - Theory Test & Simulator Test
 - Minimum flying hours 6 hours 30 minutes, Which includes–
 - 2 hours of Basic Assembly & Maintenance
 - Solo flying
 - Night Flying
 - Final Skill Test



DRONE ACHARYA UDAAN-DRONE PILOT COURSE DESCRIPTION (5 DAYS)		
Stage 1	Registration and Enrolment	1 Day
Stage 2	Ground School	2 Days
Stage 3	Flight Training	3 Days
Stage 4	License Issue	On Day 5

STAGE-1

Registration and Enrolment

Duration:1 Day

Once you register with us, your documents will need to be verified to ensure everything is in place for the successful completion of your training. Your position on the course will be blocked once you have confirmed your position and deposited the course fees.

STAGE-2

Ground School

Duration:2 Days

This will be two days of training and will comprise of 14 hours of instruction at the end of which you will acquire the knowledge to pass your Theory test. The training content will enable you to visualize the application of your knowledge for a complete understanding of the subject. During the ground school you will also learn about the applications of drones in several industries, complex drone systems, maintenance, and emergency procedures that will influence your polish your skills as a pilot.

STAGE-3

Flight Training

Duration:3 Days

Your flying training will happen at our campus Parsia Mirzapur in a serene and natural environment. The focus of your training will be on development of skills, instrument flying, disorientation & recovery training and autonomous flight planning. You will also train on the state of the art Made-in-India Drone Simulator. The dual rotorcraft training on the Indian drone Guru Trainer series will be followed by solo training where you will learn complex aircraft handling and circuit flying. Your training will culminate with your skills test on the basis of which your Remote Pilot Certificate will be issued by DRONE ACHARYA UDAAN LLP.

STAGE-4

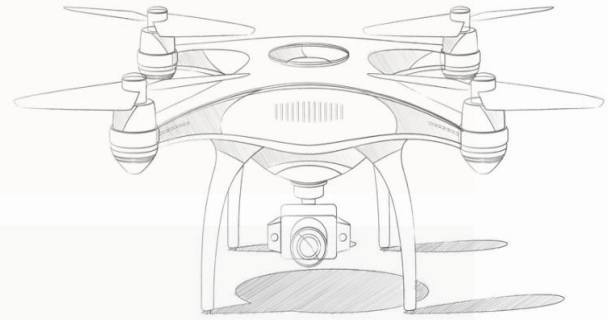
Certificate Issuance

Duration:1 Day (Final Day)

The Remote Pilot Certificate (RPC) which DRONE ACHARYA UDAAN LLP will issue on the final day of training is the only document you need to become a certified Drone Pilot. Digital Certificate will be subsequently issued from DGCA Digital Sky Platform after needful processing of the documents.

HIGHLIGHTS:

- Experienced Instructors
- Best Practical Training /Integrated Campus
- Latest DGCA Rules and Regulations
- Detailed insight about Drones and their professional Applications
- Available Jobs in different fields
- 100% assistance in Job placement
- Application/Industry specific Drone Training (customized)
- Advance Drone Flying and Mission Planning
- Simulator Training
- Drone Assembly and Maintenance Training
- Future Opportunities for Drone Pilots in various Industries



COURSE HIGHLIGHTS: RPAS PILOT TRAINING

- 35 Sessions spread over 5 days
- Theory Sessions-11
- Flight Simulator Sessions-08(Minimum)
- Practical Lab Session-01
- Practical Flying Sessions-15(Minimum)
- One on One Flying with Instructor
- Solo Flying
- Instrument Flying
- Emergency Procedures



REACH OUT US

Your dream is just a conversation away from being a reality. Get in touch with us to know more about the in statute and what awaits you. Visit the [Contact Us](#) page for our details, locations, and inquiry form.

Come visit us at our site Parsia, Mirzapur (UP) for a tour and get a taste of how exciting your journey with us could be. You can also visit our Corporate Office (Kolkata) to get a feel of how we do things.

FAQS

1. Why do I need training to fly Drones?

Drone technology and industry is evolving very rapidly in India and the world. Drones are being used to accomplish very challenging tasks a growing number of fields and many industrial applications. Drones will be using the same airspace which is used by manned aircrafts and hence it is of utmost importance to have qualified and trained Drone pilots, who understand Air Regulations, Air Traffic Management and Air Safety. Hence, one needs to undergo proper training even if they are experienced drone flyers as it has become a legal requirement now.

2. Who can become a Drone Pilot?

Anyone who is above 18 years of age and has passed 10th Std. can undergo the required training in DGCA approved RPTOs. Drones are the future. If you fulfil above requirements and want to make a career in the drone industry, then you can join our course. Professionals, employees, students, even aero modelers and RC Flyers, should also join the program to obtain the necessary technical, regulatory knowledge and of course the DGCA Remote Pilot Certifications.

3. What can I expect from your Drone Training Program?

You can expect necessary drone training curriculum, designed as per the prescribed syllabus by the DGCA and an immense practical training in which the you will be exposed to various scenarios and emergencies and will be trained to tackle them while maintaining high safety standards. In summary, one can expect to be an industry ready pilot after the course completion.

4. What are the career opportunities as a Drone Pilot?

There are more than 40 fields in which drones are being used extensively.

5. Are you affiliated to DGCA?

Yes, we are approved by DGCA.

6. How much pilot can earn?

Initially a Drone Pilot can Earn between 6k to 8k in a day. With increase in professional experience and value addition to the services provided, earning could increase up to 25-30k in a day.

7. What are the documents required?

- 10th Marksheet
 - Aadhar Card
 - Passport
-

8. What is your fee?

Kindly contact our sales team for fee & payment structure.

9. Who are the training professionals in your organization?

We have well-qualified professionals with many years of experience.

10. When the next batch for the course is going to start?

You may find details of upcoming batches in the given link.

<http://www.flydroneacharya.com>

11. What kind of Drones you offer training in? Students are trained on simulator first, the non a Micro/ Small Drone, after which they are issued a Remote Pilot Certificate.

12. Where are you located?

We have our office in Kolkata and operational drone training base is Parsia Mirzapur (UP). See our locations here (<https://flydroneacharya.com/contact.html>)

FIELDS WITH JOB OPPORTUNITIES

Urban Planning, Real Estate, Architecture & Engineering

- Construction Management
- Environmental Design (architecture, engineering, landscape, urban design)
- Mapping (archaeology, resource, topography etc.)
- Marketing
- Site analysis, Planning & Design

Business & Commerce

- Aero-technology, Robotics R&D
- Documentation (Accident reporting, building/land verification, site status etc.)
- Exploration (Water, Oil, Gas, Minerals...)
- Inspection (Infrastructure, Industrial, Factory etc.)
- Pickup & Delivery Services

Media & Communications

- Advertising & Marketing
- Art (Commercial design, fine art, events)
- Entertainment (Film, television, internet, sports)
- Investigative Journalism
- News Photography and Videography

Emergency Services and Disaster Recovery

- Disaster Monitoring and Management
- Emergency delivery (Medicine, equipment supply)
- Emergency response coordination (Fire Fighting)
- Disaster Relief & Post disaster assessment
- Search and Rescue

Security Services

- Crime Scene Investigation
- Criminal Surveillance & Tracking
- Police response coordination
- Security Surveillance
- Training & Evaluation

Agriculture/Aquaculture

- Chemical & Biological monitoring (irrigation, pesticides, treatments etc.)
- River/Canals Monitoring/Planning
- Inventory & records
- Pest and disease detection
- Precision operations and management

Environmental Management

- Environmental Hazard assessment
- Environmental impact Forest
- Scientific research
- Wildlife & Habitat Monitoring & Protection

Recreation & Entertainment

- Exploration
- Group activities & Events
- Hobby
- Personal Photo Video
- RC Flying

- **Meteorological department**
- **Railway Safety**
- **Insurance Claim Validation**



REACH OUT US FOR MORE INFORMATION

Talk to an aviation expert:

+91 7008656626 | +91 9861445071

Or write to us: info@flydroneacharya.com

DK Gupta

info@flydroneacharya.com | +91 7008656626

STAY CONNECTED

<https://flydroneacharya.com>

Register Office:

Village No. 31030803080, TAHSIL-MADIHAN,
Parsia, Mirzapur, near BHU South Campus (Banaras Hindu University),
Uttar Pradesh, 231309

Corporate Office:

738 D.H. Road, 3rd Floor, Kolkata-700008
033 24888066



Read more

DRONE PILOT TRAINING ORGANIZATION (RPTO)